

Cisco

Exam 200-310

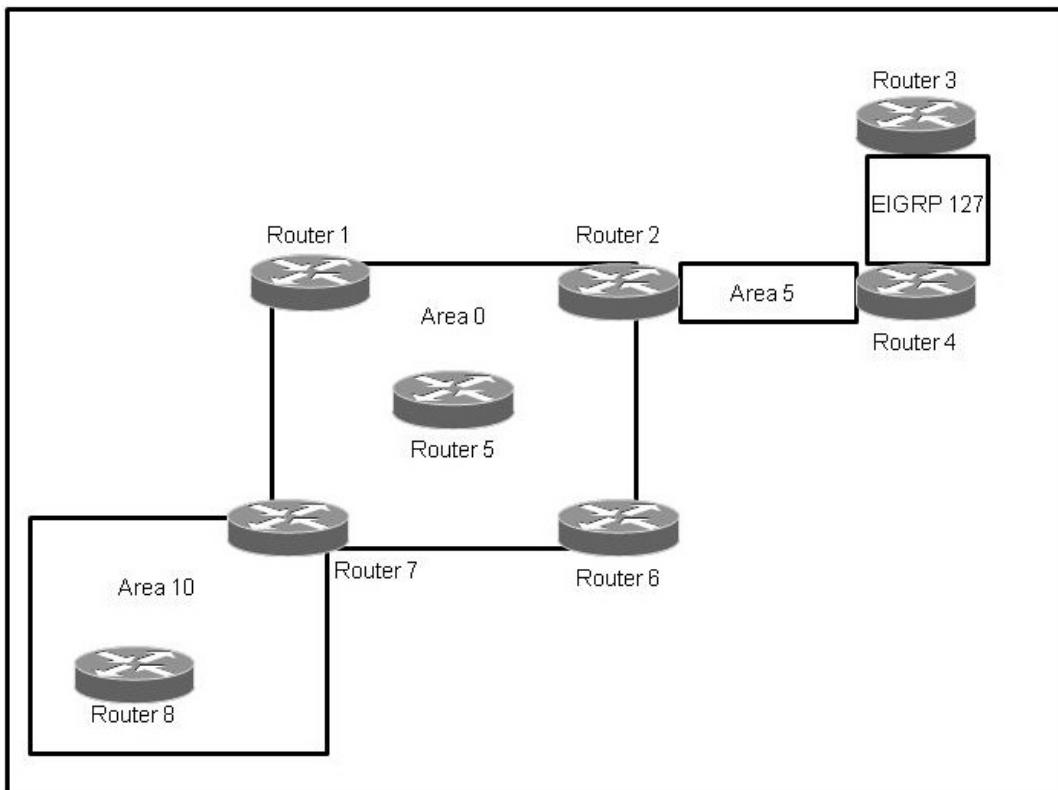
Designing for Cisco Internetwork Solutions

Version: 10.0

[Total Questions: 190]

Question No : 1

Refer to the exhibit.



Which three OSPF routers are the only routers that may perform summarization with the current network layout? (Choose three.)

- A. Router 2
- B. Router 3
- C. Router 4
- D. Router 5
- E. Router 7
- F. Router 8

Answer: A,C,E

Question No : 2

In which two places is redundancy recommended in an enterprise campus network design? (Choose two.)

- A. building distribution
- B. campus core
- C. building access
- D. e-commerce
- E. Internet connectivity

Answer: A,B

Question No : 3

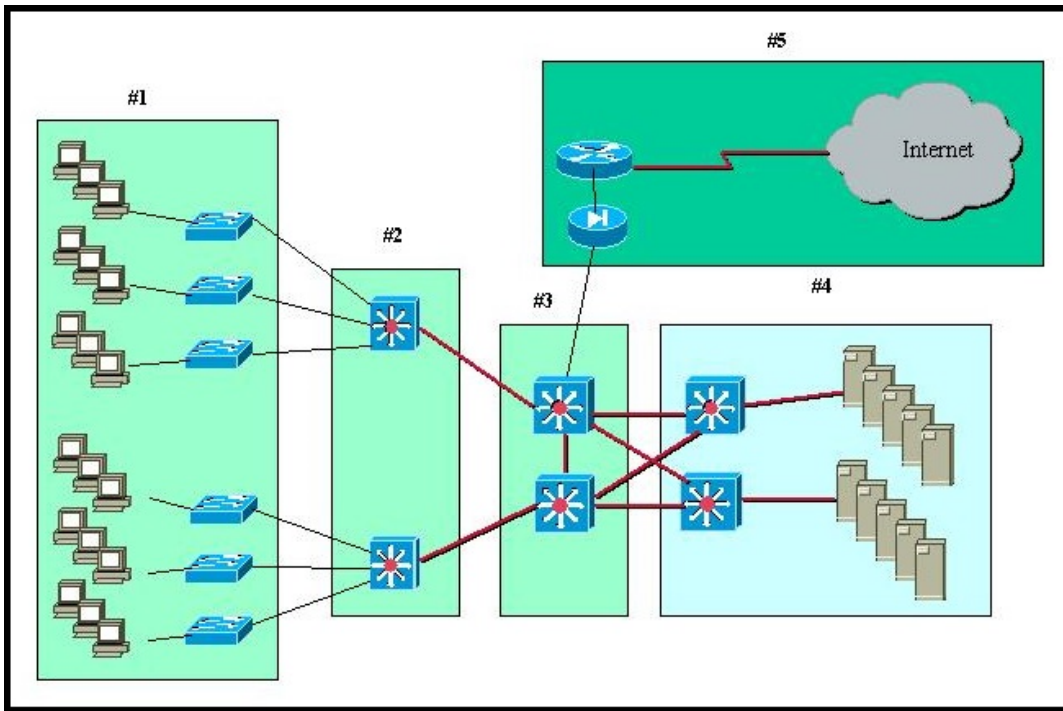
Which three layers comprise the traditional hierarchical model? (Choose three.)

- A. core layer
- B. distribution layer
- C. access layer
- D. aggregation layer
- E. network layer
- F. Internet layer

Answer: A,B,C

Question No : 4

Refer to the exhibit.



A standard Layer 2 campus network design is pictured. Which numbered box represents the core layer?

- A. #1
- B. #2
- C. #3
- D. #4
- E. #5

Answer: C

Question No : 5 DRAG DROP

Drag the characteristic on the left to the correct campus design model on the right.

uses VSS to provide redundancy	Layer 2 Switching Campus Design
uses FHRP for high availability	
route filtering is configured on interfaces toward the access layer	
inter-VLAN communications are routed in the distribution layer	Layer 3 Switching Campus Design
only one redundant connection between the access switch and the distribution switch can be active	

Answer:

uses VSS to provide redundancy	Layer 2 Switching Campus Design
uses FHRP for high availability	
route filtering is configured on interfaces toward the access layer	
inter-VLAN communications are routed in the distribution layer	Layer 3 Switching Campus Design
only one redundant connection between the access switch and the distribution switch can be active	

Question No : 6

Which RFC defines the IPv6 standard?

- A. RFC 1918
- B. RFC 2338
- C. RFC 2460
- D. RFC 2740

Answer: C

Question No : 7

Which option is a benefit of the modular approach to network design?

- A. higher availability
- B. repeatable scalability
- C. increased security
- D. improved resiliency

Answer: B

Question No : 8

When there is a need for immunity to EMI for connecting locations that are greater than 100 meters apart, which two solutions can be utilized? (Choose two.)

- A. multimode fiber
- B. Fibre Channel
- C. HVDC transmission lines
- D. single-mode fiber
- E. serial RS-232
- F. Gigabit Ethernet 1000BASE-CX

Answer: A,D

Question No : 9

What are two benefits of the bottom-up design approach? (Choose two.)

- A. allows a quick response to a design request
- B. facilitates design that is based on previous experience
- C. requires little or no notation of actual organizational requirements for implementation
- D. incorporates organizational requirements
- E. provides a broader overview to the organization and the designer

Answer: A,B

Question No : 10

Which statement describes an advantage of the Layer 2 access model over the Layer 3 access model in the data center?

- A. It enables NIC teaming.
- B. It removes STP dependency.
- C. It increases scalability.
- D. It decreases convergence.

Answer: A

Question No : 11

What are the three modes of unicast reverse path forwarding? (Choose three.)

- A. strict
- B. loose
- C. VRF
- D. global
- E. PIM
- F. local

Answer: A,B,C

Question No : 12

A data center is reaching its power and cooling capacity. What two virtualization technologies can address the problem by directly reducing the number of physical devices? (Choose two.)

- A. virtual switching systems
- B. virtual device contexts
- C. virtual servers
- D. virtual routing and forwarding
- E. virtual port channels
- F. virtual LANs

Answer: B,C

Question No : 13

When is the Cisco FlexConnect design model recommended?

- A. when remote-site APs are centrally managed
- B. when each remote site has its own wireless controller
- C. when each remote site runs VSS
- D. when the remote sites use WAN optimization

Answer: A

Question No : 14

Which option is an advanced congestion management mechanism?

- A. weighted fair queuing
- B. policing
- C. payload compression
- D. header compression

Answer: A

Question No : 15

A network engineer requires that an OSPF ASBR must only flood external LSAs only within its own area. What OSPF area type should be configured?

- A. Backbone Area
- B. Totally Stub Area
- C. Not So Stubby Area
- D. Stub Area

Answer: C

Question No : 16

Which benefit is an advantage of route summarization?

- A. It reduces the size of the routing table.
- B. It causes routes to be updated more frequently.
- C. It lowers the cost metric.
- D. It enables neighbor discovery.

Answer: A

Question No : 17

Which type of structure consists of the addressing, routing protocols, QoS, and security components?

- A. logical
- B. physical
- C. layered
- D. virtual

Answer: A

Question No : 18

What design requirement is necessary for campus network access layer switching?

- A. high cost per port
- B. high availability
- C. high scalability
- D. high performance

Answer: C

Question No : 19

What are three valid methods of gathering information about an existing data network? (Choose three.)

- A. Use organizational input.
- B. Perform a traffic analysis.

- C. Analyze the user-mapping of a running application.
- D. Perform a packet-level audit to verify carrier service guarantees.
- E. Perform a network audit to gather more detail about the network.
- F. Use reports that analyze the metrics of the customer's existing network.

Answer: A,B,E

Question No : 20

A network engineer is following the Cisco enterprise architecture model. Where are aggregation switches found?

- A. Enterprise Campus
- B. Enterprise Edge
- C. SP Edge WAN
- D. Remote Module

Answer: A

Question No : 21

Which three options are characteristics of data center evolution? (Choose three.)

- A. consolidation
- B. virtualization
- C. automation
- D. standardization
- E. optimization
- F. modulation

Answer: A,B,C

Question No : 22

What two configurations are Cisco recommended best practices for user access interfaces? (Choose two.)