

# Cisco

## Exam 640-911

### Introducing Cisco Data Center Networking

Version: 11.0

[ Total Questions: 209 ]

**Question No : 1**

How many bits are in an IPv4 address?

- A. 32
- B. 24
- C. 8
- D. 4

**Answer: A**

**Question No : 2**

Which two options are groups of network protocols that are categorized into the following OSI layers: application, data link, network, and transport? (Choose two.)

- A. FTP, LLDP, GRE, BGP
- B. RDP, CDP, EIGRP, UDP
- C. SSH, LLDP, ICMP, TCP
- D. Telnet, ICMP, EIGRP, FTP

**Answer: B,C**

**Question No : 3**

A customer wants to connect to their SAN via Fibre Channel. Which two devices can be used to provide connectivity? (Choose two.)

- A. Cisco MDS 9148 Multilayer Fabric Switch
- B. Cisco Nexus 7010 Switch
- C. Cisco Nexus 5548UP Switch
- D. Cisco Catalyst 6509 Switch
- E. Cisco Nexus 2248TP GE Fabric Extender

**Answer: A,C**

**Question No : 4**

Which device forwards data based on the destination IP address?

- A. repeater
- B. bridge
- C. switch
- D. router
- E. hub

**Answer: D**

**Question No : 5**

Which three options describe routers compared to switches? (Choose three.)

- A. use IP address tables for information lookup
- B. concerned with packet forwarding
- C. operate at Layer 3 of the OSI model
- D. operate at Layer 2 of the OSI model
- E. use MAC address tables for information lookup
- F. concerned with the local delivery of frames

**Answer: A,B,C**

**Question No : 6**

Which command should you use to configure a Cisco Nexus switch port for Layer 2 operation?

- A. nexus(config-if)#switchport
- B. nexus(config-if)#layer-2
- C. nexus(config-if)#routed
- D. nexus(config)#interface vlan 10nexus(config-if)#switchport

**Answer: A**

**Explanation:**

"If you want to configure a Layer 3 interface for Layer 2, enter the switchport command. Then, if you change a Layer 2 interface to a routed interface, enter the no switchport command."

[http://www.cisco.com/en/US/docs/switches/datacenter/nexus5000/sw/command/reference/layer2/n5kl2\\_cmds\\_n.pdf](http://www.cisco.com/en/US/docs/switches/datacenter/nexus5000/sw/command/reference/layer2/n5kl2_cmds_n.pdf)

**Question No : 7**

Which protocol operates at Layer 3 of OSI model and is used for host addressing?

- A. TCP
- B. UDP
- C. IP
- D. RIP
- E. OSPF

**Answer: C**

**Question No : 8**

Which two networking devices forward data based on destination MAC address? (Choose two.)

- A. Repeater
- B. Bridge
- C. Switch
- D. Router
- E. Hub

**Answer: B,C**

**Explanation:**

[http://www.cisco.com/en/US/prod/collateral/switches/ps9441/ps9670/white\\_paper\\_c11-465436.html](http://www.cisco.com/en/US/prod/collateral/switches/ps9441/ps9670/white_paper_c11-465436.html)

**Question No : 9**

What is the default periodic interval at which RIPv1 sends routing updates?

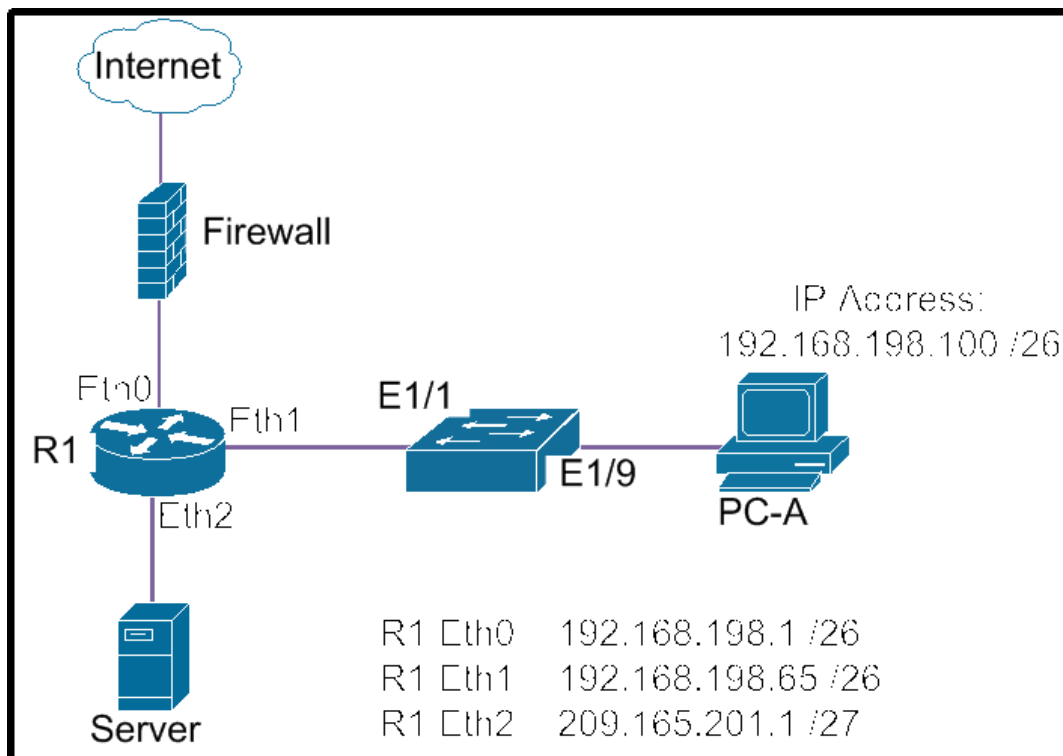
- A. 15 seconds
- B. 30 seconds
- C. 45 seconds
- D. 60 seconds
- E. 90 seconds
- F. RIPv1 only sends routing updates when the topology changes.

**Answer: B**

**Explanation:**

"Originally, each RIP router transmitted full updates every 30 seconds."

[http://en.wikipedia.org/wiki/Routing\\_Information\\_Protocol](http://en.wikipedia.org/wiki/Routing_Information_Protocol)

**Question No : 10**

Refer to the exhibit. When PC-A communicates with the Server what will the source MAC address be in the received frames at PC-A?

- A. MAC address of router interface Eth1
- B. MAC address of router interface Eth2
- C. MAC address of the NIC in the Server
- D. MAC address of switch interface E1/9

**Answer: A**

**Question No : 11**

What is the maximum distance that is supported by Cisco passive Twinax cables?

- A. 3 m
- B. 4 m
- C. 5 m
- D. 10 m

**Answer: C**

**Question No : 12**

What is the dotted hexadecimal representation of the IP address 172.13.99.225?

- A. AC.0D.63.E1
- B. AB.63.99.D5
- C. E2.1D.E1.66
- D. BC.0C.C3.1F
- E. CC.0D.F3.21

**Answer: A**

**Question No : 13**

Which two VTP modes allow the creation of local VLANs? (Choose two.)

- A. transparent
- B. native
- C. server
- D. client
- E. on

**Answer: A,C**

**Question No : 14**

Which network topology is most closely associated with classical CSMA/CD?

- A. bus
- B. token passing bus
- C. star
- D. extended star
- E. ring

**Answer: A**

**Explanation:**

"For the bus topology, the "classical" access methods are the CSMA/CD.."

[http://books.google.com/books?id=tmJzufisExQC&pg=PA39&lpg=PA39&dq=classic+CSMA/CD+bus+topology&source=bl&ots=b1L\\_uaAcVR&sig=Tx8zflavph8RFR9N5n5EDv2WZZo&hl=ru&sa=X&ei=jnDmUsTTD4no4gSd\\_oGwCw&ved=0CCwQ6AEwAQ#v=onepage&q=classic%20CSMA%20FCD%20bus%20topology&f=false](http://books.google.com/books?id=tmJzufisExQC&pg=PA39&lpg=PA39&dq=classic+CSMA/CD+bus+topology&source=bl&ots=b1L_uaAcVR&sig=Tx8zflavph8RFR9N5n5EDv2WZZo&hl=ru&sa=X&ei=jnDmUsTTD4no4gSd_oGwCw&ved=0CCwQ6AEwAQ#v=onepage&q=classic%20CSMA%20FCD%20bus%20topology&f=false)

**Question No : 15**

What is the maximum number of fabric modules that can be installed in a Cisco Nexus 7000 chassis?

- A. 4
- B. 5
- C. 6
- D. 7

Answer: B

Question No : 16 HOTSPOT

**Instructions**

Click on either Cisco Nexus 7010 in the topology to gain console access.

**Scenario**

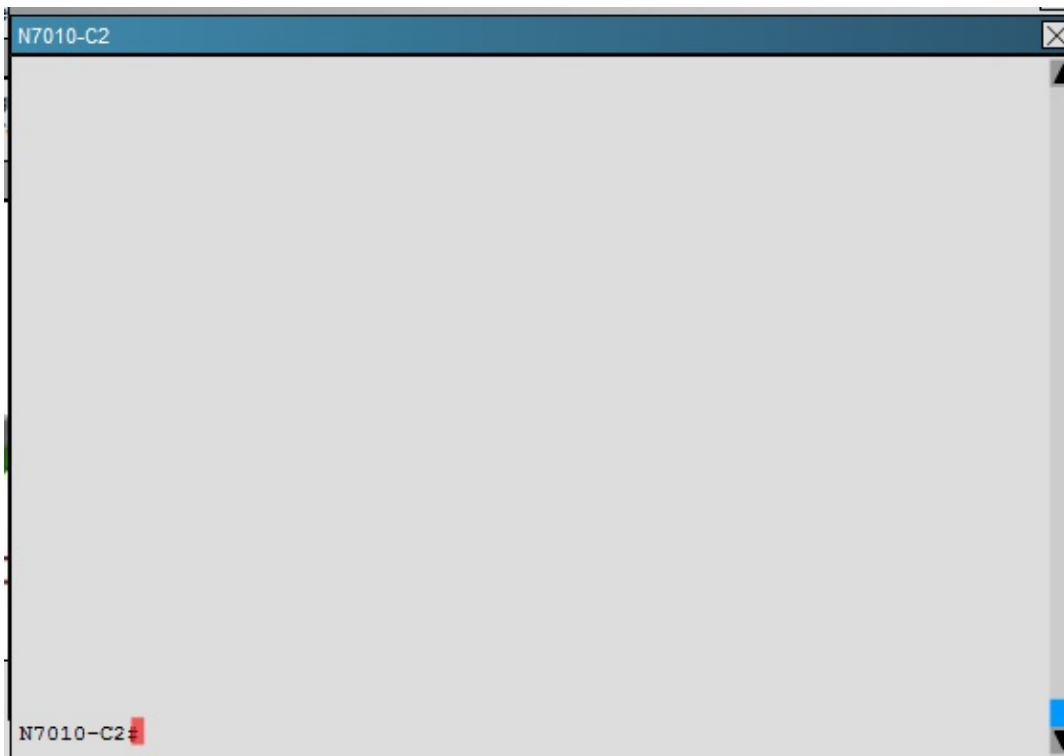
The following five questions concern the Cisco 7010s in the topology, which are at the core of a data center network. You can use all the available **show** commands to answer the questions. Access to the running-configurations is not allowed.

**Exhibit1**

**N7010-C1**

N7010-C1





Answer:

Questions

1 For which VLANs is N7010-C1 the root bridge?

2  1-1005

3  750-759, 1006-1010

4  1-69

5  99, 750-759, 990, 1006-1010

**Explanation:**

99, 750-759, 990, 1006-1010

Use the “show spanning tree” command to see which switch is the root for each VLAN.

**Question No : 17**

Which two layers of the OSI model relate to the transmission of bits over the wire and packet forwarding based on destination IP address? (Choose two.)

- A. 1
- B. 2
- C. 3
- D. 4
- E. 5

**Answer: A,C**

**Explanation:**

Bits - 1 layer