

642-978

642-978

**Cisco Data Center Unified Computing  
Design Specialist Qualifier Exam  
(DCUCD)**

Version 13.7

642-978

**QUESTION NO: 1**

Which two Cisco products complement the Cisco SFS family of products to provide server-side InfiniBand integration? (Choose two)

- A. iSCSI HCA
- B. Fibre Channel HCA
- C. InfiniBand switch modules
- D. Fibre Channel switch modules
- E. InfiniBand HCA card for IBM and Dell servers

**Answer:** C, E

**QUESTION NO: 2**

What are two MDS features that increase the efficiency of a multiple switch Fibre channel fabric? (Choose two)

- A. Port Channel
- B. COP
- C. FCP
- D. FCC
- E. CUP

**Answer:** A, D

**QUESTION NO: 3**

Which three capabilities make the Cisco nexus 7010 switch an effective solution for the data centre core? (Choose three)

- A. Unified I/O
- B. Virtualization
- C. Support for 48-port Gb/s line card
- D. Support for security service modules
- E. High performance
- F. High availability

**Answer:** A, E, F

642-978

**QUESTION NO: 4**

Which Cisco product is deployed for content routing purposes?

- A. Cisco ACE GSS
- B. Cisco ACE appliance
- C. Cisco content Engine 500
- D. Cisco ACE module

**Answer: A**

**QUESTION NO: 5**

Which statement is correct about the Cisco Catalyst 4948 Switch?

- A. Is nonblocking
- B. Perform only layer 2 switching
- C. Has up to 48-Gbps wire-speed performance
- D. Balances lower cost with lower-performance access layer switching

**Answer: A**

**QUESTION NO: 6**

Which three fibre Channel switch features are unique to Cisco's MDS 9000 *Series* switches? (Choose three)

- A. LUN Zoning
- B. Read-Only Zones
- C. Internet-Switch Link
- D. Fibre Channel Congestion Control
- E. FC link Aggregation
- F. FSPF

**Answer: A, B, D**

**QUESTION NO: 7**

642-978

Which two Cisco service modules can be deployed in redundant pairs with active active fail over?

- A. ACE
- B. CSM
- C. NAM
- D. FWSM
- E. SSLSM

**Answer:** A, D

**QUESTION NO: 8**

Used in combination with DHCP snooping, which feature helps prevent spoofing attacks in the data center access layer?

- A. RPF
- B. Port security
- C. RFC 3704 filtering
- D. Dynamic ARP Inspection

**Answer:** D

**QUESTION NO: 9**

A government agency data center that is used for tax processing is located in an earthquake fault zone. A backup data center, located 300 *km* away, is linked to the main data center over an OC-3 connection. Which of the following provides the best solution to extend the SAN for business continuance and for support of their IP applications?

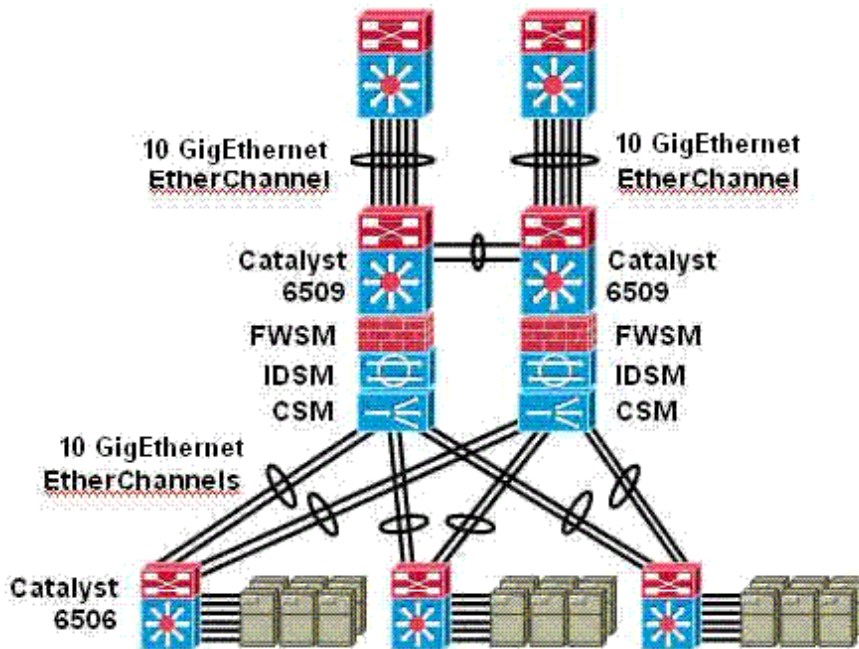
- A. Synchronous replication using FCIP
- B. iSCSI
- C. FCIP and asynchronous replication
- D. Dark fiber connectivity and use of synchronous replication over FC

**Answer:** C

**QUESTION NO: 10**

642-978

Refer to exhibit,



what would you recommend to a customer who is almost out of slots for 10-Gigabit Ethernet connections in the aggregation module?

- A. Add a second aggregation module
- B. Move the CSM modules to separate service layer switches
- C. Move the CSM modules to the access layer Cisco Catalyst 6508 Switches
- D. Upgrade the Cisco Catalyst 6508 switches in the aggregation layer to Cisco Catalyst 6613 Switches

**Answer: B**

**QUESTION NO: 11**

Refer to the exhibit