

# Cisco

## Exam 642-998

### Designing Cisco Data Center Unified Computing

Version: 11.0

[ Total Questions: 182 ]

**Question No : 1**

What allows for STP to be disabled yet support a loop-free topology even on link or switch failure?

- A. LACP
- B. OTV
- C. vPC
- D. vPC+
- E. FabricPath

**Answer: E**

**Question No : 2**

Which two devices operate only at OSI Layer 2? (Choose two.)

- A. Cisco Nexus 7010
- B. Cisco Nexus 5548
- C. Cisco Nexus 5596
- D. Cisco Nexus 5020
- E. Cisco Nexus 3016
- F. Cisco Nexus 2248

**Answer: D,F**

**Question No : 3**

Which three benefits make a data center core Cisco Nexus 7010 Switch an effective solution? (Choose three.)

- A. high availability
- B. high performance
- C. unified I/O
- D. support for data center service modules
- E. IP multicast
- F. support for 24-port Gb/s line card
- G. virtualization

**Answer: A,B,C**

**Question No : 4**

Which three statements about Cisco UCS Manager are true? (Choose three.)

- A. supports role-based user access for fine-grained control of user rights
- B. builds a hardware inventory for the Cisco UCS domain
- C. performs configuration of Fabric Interconnects
- D. deploys operating systems to servers
- E. supports multiple Cisco UCS domains
- F. uses a built-in LDAP server to authenticate users
- G. Locales provide users with language translations of the Cisco UCS Manager.
- H. provides basic tools for troubleshooting and managing external storage systems

**Answer: A,B,C**

**Question No : 5**

You have a Cisco UCS environment. In which two ways can you track network usage trends during a six-month period? (Choose two.)

- A. collection policies in Cisco UCS Manager
- B. service templates in Cisco UCS Manager
- C. CiscoWorks Device Fault Manager
- D. Cisco Performance Manager
- E. Device Discovery in Cisco Prime Data Center Network Manager

**Answer: A,D**

**Question No : 6**

Which two technologies provide the greatest reduction in energy consumption for a data center? (Choose two.)

- A. server virtualization
- B. a converged network infrastructure

- C. network virtualization
- D. routing table virtualization
- E. orchestration and automation

Answer: A,B

**Question No : 7 DRAG DROP**

Drag the example on the left to the appropriate type of virtualization on the right.

VSANs	Storage Virtualization
Hypervisors	Server Virtualization
VDCs	Network Virtualization
Block, Tape, File system	Application Virtualization
Web-based	Device Virtualization

Answer:

Drag the example on the left to the appropriate type of virtualization on the right.

VSANs	Block, Tape, File system
Hypervisors	Hypervisors
VDCs	VSANs
Block, Tape, File system	Web-based
Web-based	VDCs

**Question No : 8**

On which two operating systems is Cisco UCS Manager supported? (Choose two.)

- A. Microsoft Windows XP
- B. Red Hat Enterprise Linux 5.0 or higher
- C. OS X
- D. VMware vSphere 4.0
- E. VMware vSphere 5.0

Answer: A,B

**Question No : 9**

Which three configuration states are valid for Cisco UCS unified ports? (Choose three.)

- A. 10 Gbps Ethernet
- B. FCoE on 10 Gbps Ethernet
- C. Native Fibre Channel
- D. 100 Mbps Ethernet
- E. 100 Gbps Ethernet
- F. iSCSI over 10 Gbps Ethernet

**Answer: A,B,C**

**Question No : 10**

Which three characteristics are associated with the aggregation layer of a Cisco Data Center Unified Fabric network? (Choose three.)

- A. no packet manipulation
- B. QoS – policing
- C. voice, data, and wireless convergence
- D. scalable routing protocols
- E. provides default gateway redundancy
- F. QoS – classification and queuing
- G. routing manipulation and filtering
- H. aggregates end users

**Answer: B,E,G**

**Question No : 11**

Which two business requirements have the most influence on the data center design? (Choose two.)

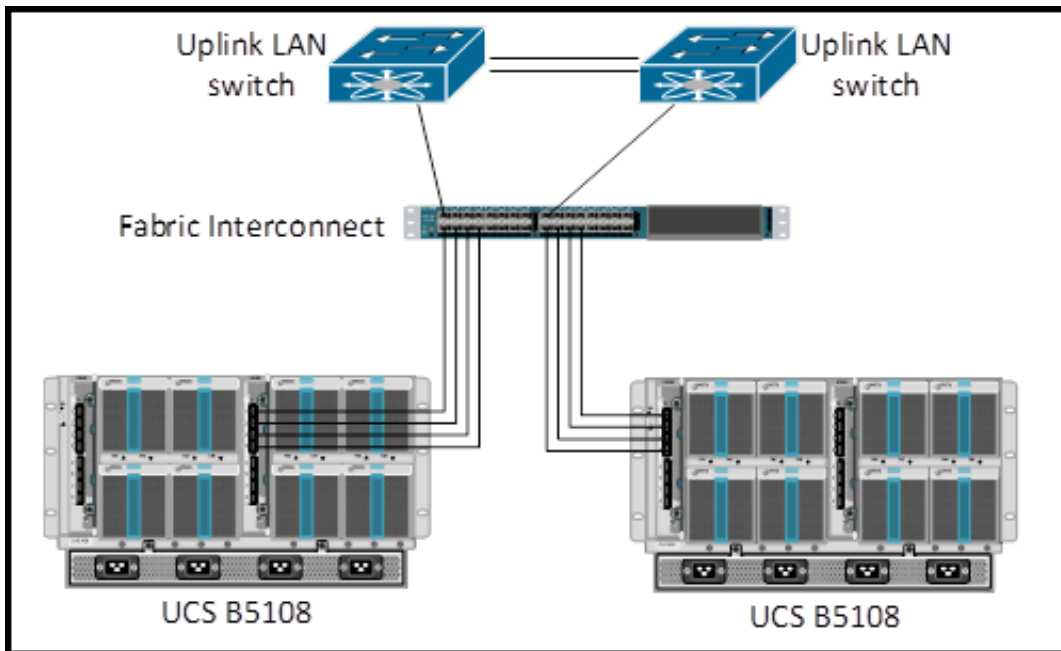
- A. reduce power consumption
- B. increase network bandwidth
- C. increase storage capacity
- D. increase cooling requirement
- E. reduce virtual machine to host ratio

F. reduce data center footprint (floorspace)

Answer: A,E

**Question No : 12**

Refer to the exhibit.



You have a virtual machine configured on each Cisco UCS B200 Series blade server installed on different Cisco UCS 5108 chassis. The virtual machines are on the same VLAN. The fabric interconnect is in end-host mode. Which statement describes how communication occurs between the virtual machines?

- A. Traffic is switched within the virtual switch and forwarded to the proper vNIC.
- B. Traffic is switched by the hypervisor and forwarded to the proper vNIC.
- C. Traffic is switched by the fabric interconnect and forwarded to the virtual machine.
- D. Traffic is forwarded to the uplink switch where the fabric interconnect is connected.

Answer: C

**Question No : 13**

You have a vPC domain that contains a Cisco Nexus 5000 Series pair. Which feature must

you enable to make the Cisco Nexus pair operates as a single STP root?

- A. auto-recovery
- B. priority
- C. peer-switch
- D. peer-gateway

**Answer: C**

**Question No : 14**

Which three options are major reasons to export NetFlow data in v9 format rather than v5? (Choose three.)

- A. IPv6 and MPLS field support
- B. well-known fixed field definitions
- C. fields for Layer 2 NetFlow
- D. Version 9 exports are template-based.
- E. Multicast flows are supported in v9 only.
- F. support for sampled NetFlow
- G. IPv4 and IPv6 flow statistics can be combined in the same export.
- H. NetFlow v9 supports more granular aging timers.

**Answer: A,C,D**

**Question No : 15**

Which two important benefits result from deploying Cisco Catalyst 4948 Switches in a top-of-rack access layer design? (Choose two.)

- A. increased fault tolerance
- B. improved server density
- C. improved power distribution
- D. simpler logical density
- E. simpler logical topology

**Answer: C,E**

**Question No : 16**

Which Cisco product is the least likely example of an access layer switch within the data center network?

- A. Cisco Nexus 1000v
- B. Cisco Nexus 5500
- C. Cisco Nexus 7000
- D. Cisco MDS 9222i

**Answer: D**

**Question No : 17**

Which two statements about how universal ports are converted from Ethernet to Fibre Channel ports are true? (Choose two.)

- A. Fibre Channel ports should be configured consecutively from the last port of a module.
- B. Port type changes become effective immediately after configuration.
- C. Fibre Channel ports should be configured consecutively from the first port of a module.
- D. Port type changes become effective only after reloading the switch.
- E. Fibre Channel ports may be assigned to any available port without regard to switch location.

**Answer: A,D**

**Question No : 18**

Which statement about the Overlay Transport Virtualization protocol is true?

- A. It is IP-based functionality that provides Layer 3 extension over any transport.
- B. The data plane exchanges MAC reachability info.
- C. The control plane protocol is IS-IS.
- D. It supports FCoE.

**Answer: C**

**Question No : 19**



Which two devices are recommended for an MoR design that includes Cisco Unified Fabric? (Choose two.)

- A. Cisco Nexus 5548UP
- B. Cisco Nexus 4004
- C. Cisco Nexus 3064
- D. Cisco Nexus 2232PP
- E. Cisco Nexus 2248T

**Answer: A,D**

**Question No : 20**

Which data center management tool provides performance and capacity monitoring and trending for SAN and LAN infrastructure?

- A. Cisco UCS Manager
- B. Cisco NAM
- C. Cisco NetFlow
- D. Cisco DCNM

**Answer: D**

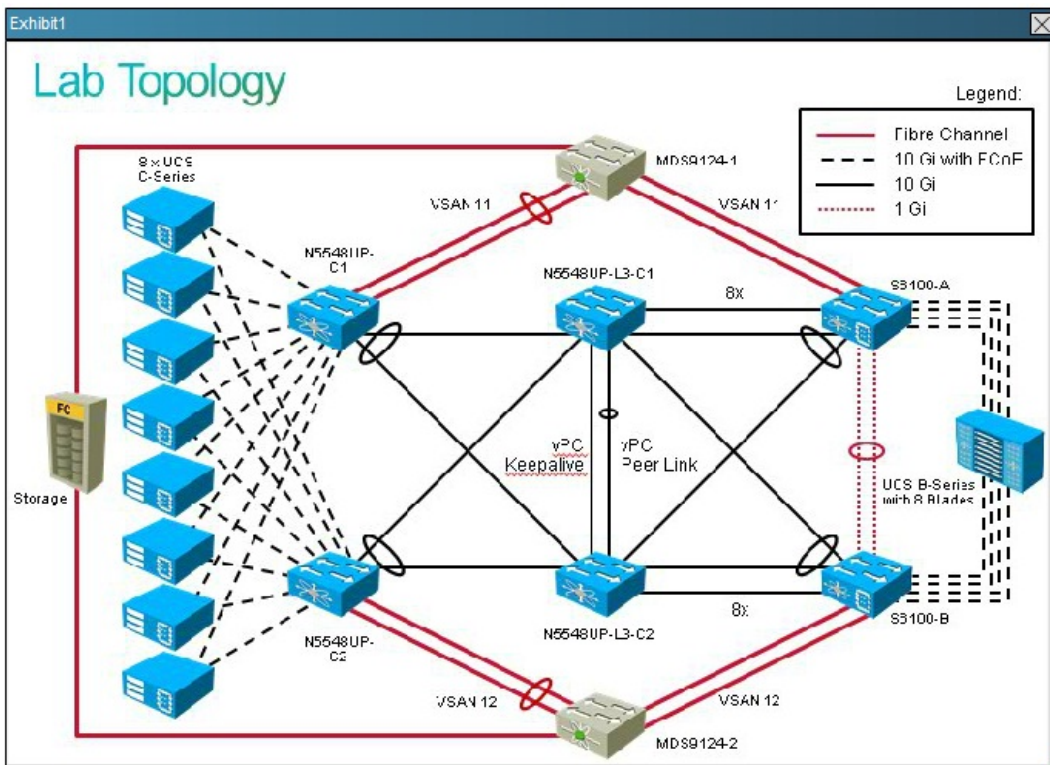
**Question No : 21**

Scenario

Answer four questions to demonstrate your understanding of IPv6 addressing.

Instructions

- To access the multiple-choice questions, click on the numbered boxes on the left of the top panel.
- There are **four** multiple-choice questions with this task.
- Be sure to answer all four questions before selecting the **Next** button.



Which item is a valid IPv6 Link Local address?

- A. 2001:4070:1:1408::2
- B. fe80::41dc:79e1:5c7b:b270
- C. d772:4f0b:aaec:e8f0:fde9::8dcd:a2ec
- D. 0718:564a:dc94::9a34:9fc6:5b3b

**Answer: B**

**Explanation:**

A link-local address is an IPv6 unicast address that can be automatically configured on any interface using the link-local prefix FE80::/10 (1111 1110 10) and the interface identifier in the modified EUI-64 format.

Reference: <http://www.cisco.com/c/en/us/support/docs/ip/ip-version-6-ipv6/113328-ipv6-lla.html>

**Question No : 22**

You are planning to migrate an existing customer infrastructure to a new data center infrastructure. Existing IP addresses must be preserved during the migration. Which three design options must you implement? (Choose three.)