

Juniper

Exam JN0-660

Service Provider Routing and Switching, Professional

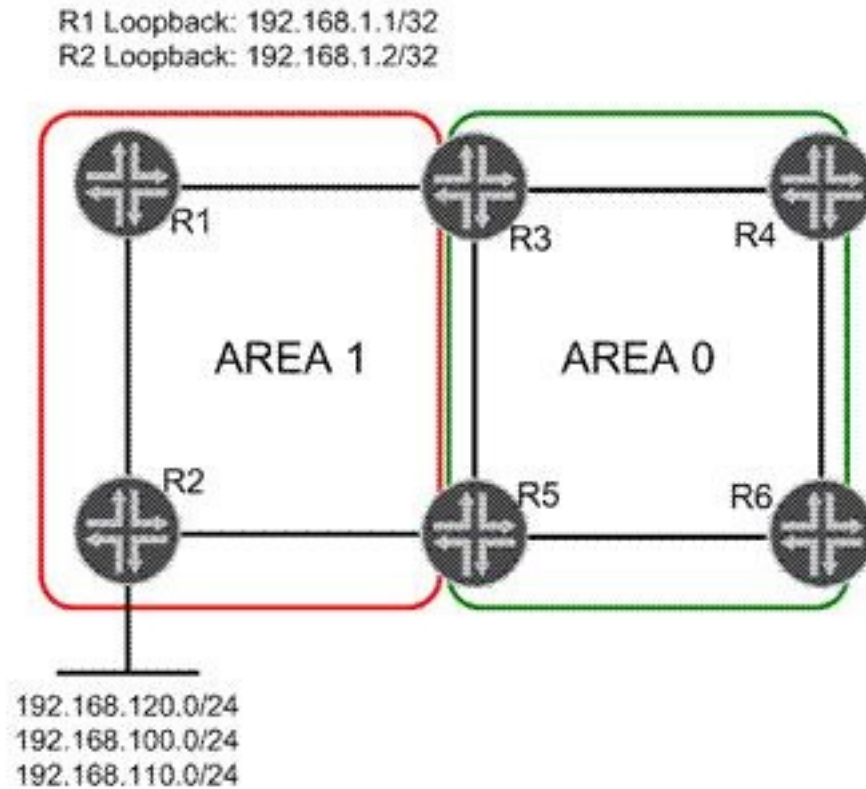
Version: 22.1

[Total Questions: 247]

Topic 1, Volume A

Question No : 1 - (Topic 1)

Click the Exhibit button.



In the exhibit, Area 1 is a not-so-stubby area. Three networks are redistributed into Area 1 on R2. You must summarize the redistributed network addresses in Area 1 so that only one network prefix is re-advertised into Area 0. You must also summarize the loopback addresses of R1 and R2 into a single address in Area 0. Which configuration sample on R3 and R5 will complete this task?

- A. [edit protocols ospf area 0.0.0.1]
user@router# show
nssa {
 area-range 192.168.0.0/16;
 area-range 192.168.1.0/30;
}
- B. [edit protocols ospf area 0.0.0.0]
user@router# show
nssa {
 area-range 192.168.0.0/16;
 area-range 192.168.1.0/30;
}
- C. [edit protocols ospf area 0.0.0.1]
user@router# show
nssa {
 area-range 192.168.0.0/16;
}
area-range 192.168.1.0/30;
- D. [edit protocols ospf area 0.0.0.0]
user@router# show
nssa {
 area-range 192.168.0.0/16;
}
area-range 192.168.1.0/30;

- A. Option A
B. Option B
C. Option C
D. Option D

Answer: C

Question No : 2 - (Topic 1)

Click the Exhibit button.

```
[edit]
user@host# run show route

inet.0: 7 destinations, 10 routes (6 active, 0 holddown, 3 hidden)
@ = Routing Use Only, # = Forwarding Use Only
+ = Active Route, - = Last Active, * = Both

10.10.10.0/30      *[Direct/0] 06:35:12
                  > via ge-1/0/0.0
10.10.10.2/32     *[Local/0] 06:35:12
                  Local via ge-1/0/0.0
10.10.56.0/30     *[Direct/0] 03:55:10
                  > via ge-1/0/1.0
10.10.56.2/32     *[Local/0] 03:55:10
                  Local via ge-1/0/1.0
192.168.56.1/32  @[IS-IS/18] 00:00:05, metric 10
                  > to 10.10.56.1 via ge-1/0/1.0
                  #[RSVP/7/1] 00:00:00, metric 10
                  > to 10.10.56.1 via ge-1/0/1.0, label-switched-path to-r6
192.168.56.5/32  *[Direct/0] 02:06:50
                  > via lo0.0

inet.3: 1 destinations, 1 routes (1 active, 0 holddown, 0 hidden)
+ = Active Route, - = Last Active, * = Both

192.168.56.1/32  *[RSVP/7/1] 00:00:00, metric 10
                  > to 10.10.56.1 via ge-1/0/1.0, label-switched-path to-r6
```

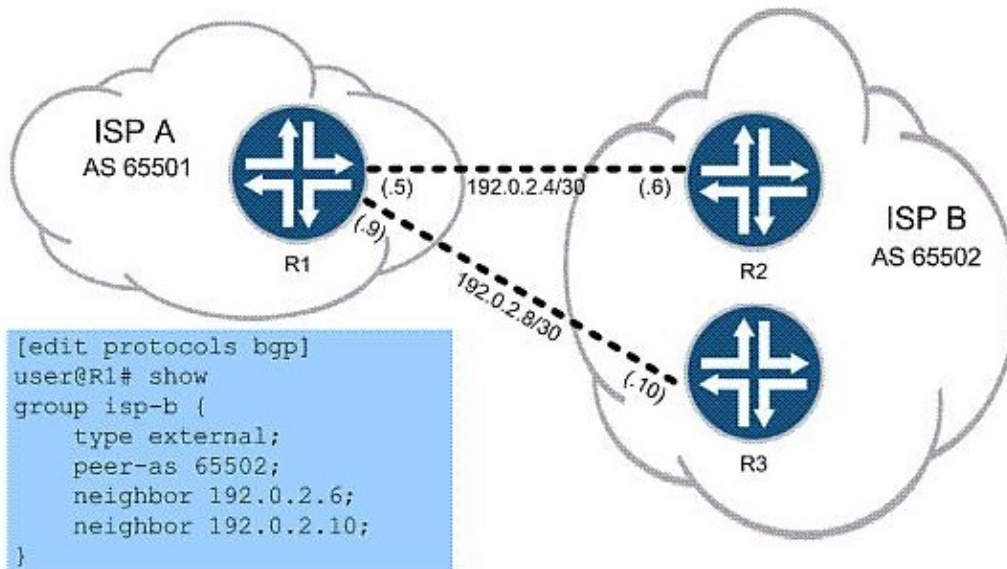
Referring to the exhibit, which MPLS feature was used to make the LSP the preferred path for internal routes?

- A. traffic engineering bgp-igp
- B. traffic engineering shortcuts
- C. traffic engineering mpls-forwarding
- D. install active

Answer: C

Question No : 3 - (Topic 1)

Click the Exhibit button.



In the exhibit, ISP A is charged a higher rate for traffic sent to R2. You are asked to lower costs for ISP A by configuring R1 to send traffic to R3 whenever possible. What are two ways to do this? (Choose two.)

- A. set protocols bgp group isp-b neighbor 192.0.2.6 local-preference 120
- B. set protocols bgp group isp-b neighbor 192.0.2.6 local-preference 80
- C. set protocols bgp group isp-b neighbor 192.0.2.10 local-preference 120
- D. set protocols bgp group isp-b neighbor 192.0.2.10 local-preference 80

Answer: B,C

Question No : 4 - (Topic 1)

You are the administrator for a network that uses IBGP. As the network grows, you must examine options to support increased scale. Which two scaling options should you consider? (Choose two.)

- A. route reflection
- B. areas
- C. zones
- D. confederations

Answer: A,D

Question No : 5 - (Topic 1)

You manage an MPLS network where the PE devices consist of multiple vendors. You are asked to conceal the MPLS topology for all LSPs. Which global configuration parameter will accomplish this?

- A. Configure no-decrement-ttl on the ingress router only.
- B. Configure no-propagate-ttl on the ingress router only.
- C. Configure no-decrement-ttl on all routers within the MPLS network.
- D. Configure no-propagate-ttl on all routers within the MPLS network.

Answer: D

Question No : 6 - (Topic 1)

Click the Exhibit button.

```
[edit protocols mpls]
user@router# show
label-switched-path to-egress {
  to 192.168.1.1;
  install 172.20.20.0/24;
}
interface all;
```

Based on the configuration in the exhibit, which statement is correct?

- A. The 172.20.20.0/24 route is installed in the inet.0 table with the next hop of the LSP.
- B. The 172.20.20.0/24 route is installed in the mpls.0 table with the next hop of the LSP.
- C. The 172.20.20.0/24 route is installed in the inet.3 table with the next hop of the LSP.
- D. The 172.20.20.0/24 route is installed in the inet6.3 table with the next hop of the LSP.

Answer: C

Question No : 7 - (Topic 1)

In which two ways does VPLS populate the MAC table? (Choose two.)

- A. dynamically using BGP
- B. dynamically using the source MAC address on received frames
- C. dynamically using LDP
- D. statically using CLI

Answer: B,D

Question No : 8 - (Topic 1)

Which CoS feature supports per-VLAN queuing and scheduling?

- A. multilevel scheduling
- B. hierarchical scheduling
- C. tagged queuing
- D. per-instance queuing

Answer: C

Question No : 9 - (Topic 1)

Which two statements are true about OSPFv3? (Choose two.)

- A. OSPFv3 uses a 32-bit router ID to uniquely identify a node in the network.
- B. OSPFv3 uses a 128-bit router ID to uniquely identify a node in the network.
- C. OSPFv3 routes are always preferred over OSPFv2 routes for all traffic.
- D. OSPFv3 and OSPFv2 can be configured at the same time.

Answer: A,D

Question No : 10 - (Topic 1)

Click the Exhibit button.

```
[edit]
user@host# show class-of-service
schedulers {
    voice {
        transmit-rate percent 40;
        priority strict-high;
    }
    critical {
        transmit-rate percent 25;
        priority high;
    }
    less-critical {
        transmit-rate percent 15;
        priority medium-high;
    }
    data {
        transmit-rate percent 10;
        priority medium-low;
    }
    left-over {
        transmit-rate percent 5;
        priority low;
    }
}
```

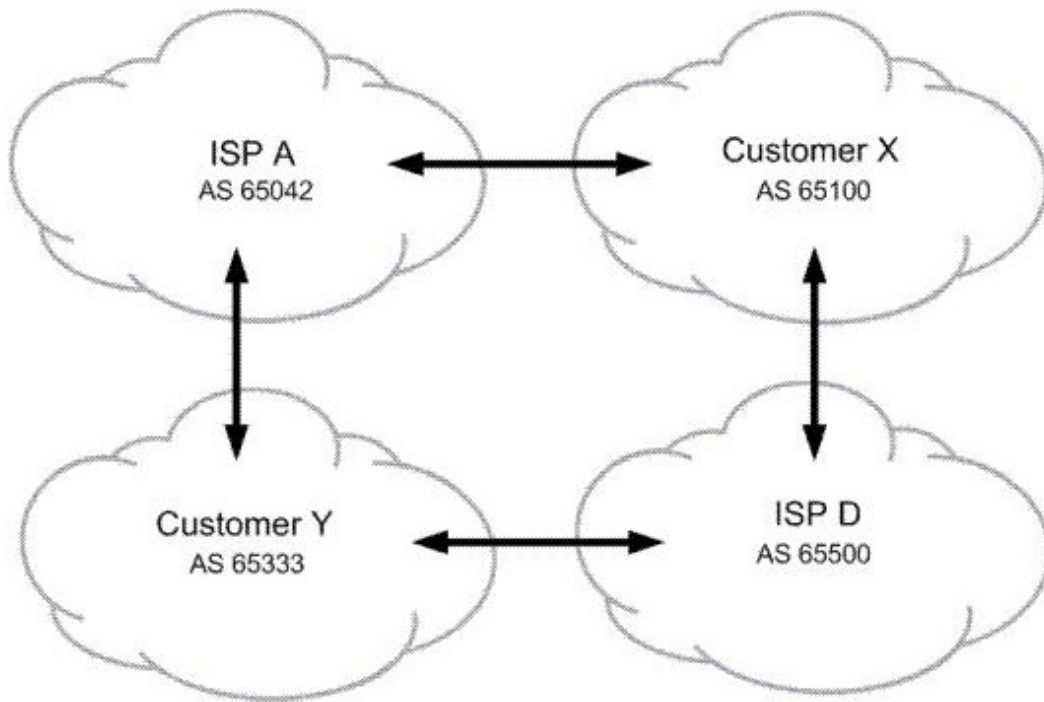
On your MX Series router, traffic using the critical scheduler is out of profile. All other data is currently in profile. Referring to the exhibit, which statement is correct?

- A. The critical queue is serviced before the less-critical queue.
- B. The critical queue is serviced after the left-over queue.
- C. The critical queue is serviced before the data queue.
- D. The critical queue is serviced before the voice queue.

Answer: B

Question No : 11 - (Topic 1)

Click the Exhibit button.



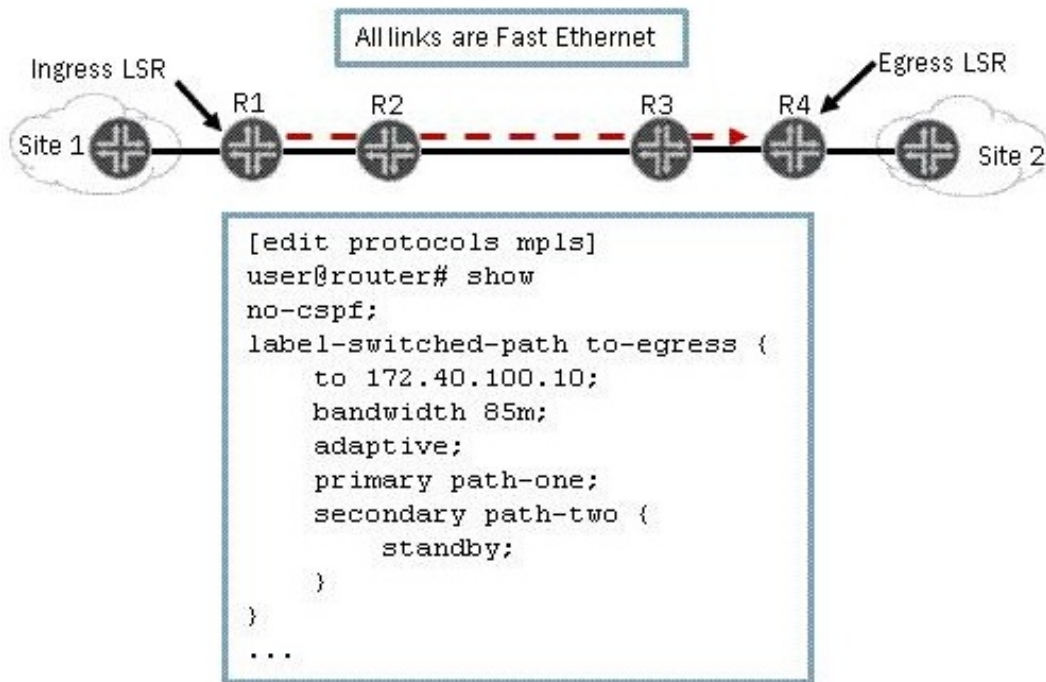
All networks shown in the exhibit contain more than one BGP speaking router. You operate ISP A. You must ensure that customer Y sends their traffic to you over the directly connected link but customer Y is not used for transit into your network. What do you do to accomplish this?

- A. Advertise routes to customer Y with the well-known no-transit community.
- B. Advertise routes to customer X with the well-known no-advertise community.
- C. Advertise routes to customer Y with the well-known no-export community.
- D. Advertise routes to customer X with the well-known as-transit community.

Answer: C

Question No : 12 - (Topic 1)

Click the Exhibit button.



As shown in the exhibit, you have an adaptive LSP that requires 85 Mbps. The LSP is configured with a primary path and a secondary path in standby mode. All connections in the MPLS network are Fast Ethernet. Which statement is correct?

- A. The primary and secondary paths are in an up state and operational.
- B. The primary and secondary paths are in a down state and not operational.
- C. The secondary path is in a down state and not operational.
- D. The primary path is in a down state and not operational.

Answer: A

Question No : 13 - (Topic 1)

You are the administrator for a network that uses IS-IS as its IGP. As the network grows, you find that the protocol's default capabilities for setting metrics is limiting your options. Which feature can you implement to provide a larger range of metric configuration capabilities?

- A. extended metrics
- B. wide metrics
- C. expanded metrics
- D. full metrics