

TB0-116

TB0-116
TIBCO Enterprise Message Service 6
Exam
Version 3.1

TB0-116

Topic 1, Volume A

QUESTION NO: 1

Which two statements are true about JMS local transactions? (Choose two.)

- A. Closing a transacted session commits its transaction.
- B. Session interface provides commit and rollback methods.
- C. Consumed messages are acknowledged upon session.commit.
- D. Consumed messages are recovered and redelivered upon session.commit.

Answer: B,C

QUESTION NO: 2

What action is taken when the command purge all queues foo.* is sent on the TIBCO EMS Administrator Tool?

- A. All messages in all queues are deleted.
- B. All messages present in the queue called foo.* are deleted.
- C. All user-created queues whose names match the pattern foo.* are deleted.
- D. All messages present in all the queues whose names matched the pattern foo.* are deleted.

Answer: D

QUESTION NO: 3

A TIBCO EMS Server has the following configuration in the stores.conf and queues.conf files:

stores.conf

```
[filestore-1] type=file file=filestore1.db mode=async
```

TB0-116

```
[filestore-2] type=file file=filestore2.db mode=sync queues.conf > store=filestore-1 queue1  
store=filestore-2 Message swapping is enabled.
```

What happens when NON_PERSISTENT messages are published on queue1?

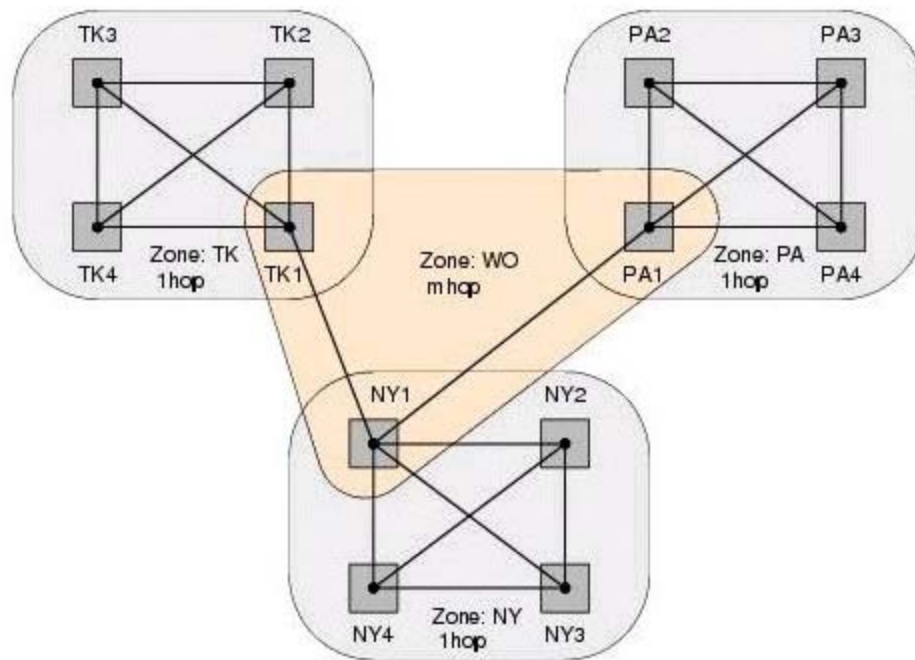
- A. All the published messages are stored in filestore-2.
- B. All the published messages are stored in filestore-1.
- C. Messages are moved to filestore-1 when the server reaches certain memory limits.
- D. Messages are moved to filestore-2 when the server reaches certain memory limits.

Answer: D

QUESTION NO: 4

The following diagram illustrates an enterprise with one-hop zones connecting all the servers in each of several cities in a fully-connected graph. Zone TK connects all the servers in Tokyo; zone NY connects all the servers in New York; zone PA connects all the servers in Paris. In addition, the multi-hop zone WO connects one server in each city. Which three statements are true when a client of server TK3 produces a message? (Choose three.)

TB0-116



- A. When the message reaches PA1, it crosses into zone PA.
- B. When the message reaches TK1, it will cross into zone PA.
- C. TK1 forwards the message to NY1, which in turn forwards it to PA1.
- D. The message will travel one hop to each of the other Tokyo servers.

Answer: A,C,D

QUESTION NO: 5

What are two allowed connection factory types with TIBCO EMS?

- A. both
- B. xaboth
- C. generic
- D. xageneric

TB0-116

Answer: C,D

QUESTION NO: 6

Which two sets of commands successfully create a queue connection factory called fact with the URL pointing to localhost:7222 on the TIBCO EMS Server? (Choose two.)

A. create factory fact queue

```
addprop factory fact url=tcp://7222
```

```
setprop factory fact url
```

B. create factory fact queue url=tcp://7222

C. create factory queue fact

```
setprop factory fact url=tcp://localhost7222
```

D. create factory fact queue

```
addprop factory fact url=tcp://localhost:7222
```

E. create factory fact queue

```
addprop factory fact url=tcp://localhost:7222
```

```
setprop factory fact url
```

Answer: B,D

QUESTION NO: 7

Which two statements are true about access control and bridges? (Choose two.)

A. A bridge automatically has permission to send to its target destination(s).

B. Message producers must have access to a destination to send messages to that destination.

TB0-116

C. ACLs must be added to the bridges.conf file if the access control is enabled for any bridged destination.

D. A message producer sending messages to a bridged destination must also have access to the target destination(s) defined on the bridge.

Answer: A,B

QUESTION NO: 8

Given the configuration in the acl.conf file: TOPIC=topic.sample1 USER=Bob PERM=subscribe TOPIC=topic.* Group=engineering PERM=publish,subscribe Which statement is true if Bob is a member of the engineering group?

A. Bob can only subscribe to topic.sample1.

B. Bob can publish and subscribe to only topic.sample1.

C. Bob can publish and subscribe to both topic.sample1 and topic.sample2.

D. Bob can publish to only topic.sample2 but can subscribe to both topic.sample1 and topic.sample2.

E. Bob can publish to only topic.sample1 but can subscribe to both topic.sample1 and topic.sample2.

Answer: C

QUESTION NO: 9

Server R defines a global queue named Q1. R is also the owner of Q1. Servers P and S define routed queues Q1@R. The servers P, R, and S are connected by routes. Which two statements are true? (Choose two.)

A. When a message is sent from server P to queue Q1, P forwards the message to the home queue on server R.

B. Messages are available to local and remote consumers even before the message reaches the home queue.

TB0-116

C. If Server P or the route connection from P to R fails, a consumer application of server P will not be able to receive messages from Q1 until the

servers resume communication.

D. When a message is sent from server S to Q1 and the route is not connected, the message is not delivered, and the client application receives

the exception DESTINATION_NOT_AVAILABLE.

Answer: A,C

QUESTION NO: 10

Given the following set of values: ?sess is a Session object ?dest is a Destination object ?nolocal is a boolean variable What is the correct way to create a message consumer with a selector?

A. String selector = " JMSCorrelationID=3";

MessageConsumer consumer = sess.createConsumer(dest,selector,nolocal);

B. String selector = " JMSCorrelationID='3'";

MessageConsumer consumer = sess.createConsumer(dest,selector,nolocal);

C. String selector = " JMSCorrelationID=3'";

MessageConsumer consumer = sess.createConsumer(dest, nolocal, selector);

D. String selector = " 'JMSCorrelationID'='3'";

MessageConsumer consumer = sess.createConsumer(dest, selector, nolocal);

Answer: B

QUESTION NO: 11

What are two valid TIBCO EMS Administrator Tool commands? (Choose two.)

A. set server ft=enabled

TB0-116

- B. set server routing=enabled
- C. set server authorization=enabled
- D. set server detailed_statistics=NONE

Answer: C,D

QUESTION NO: 12

The mismatched bandwidth between a message producer and consumer can be solved by setting which property in the TIBCO EMS configuration?

- A. multicast
- B. flow_control
- C. msg_swapping
- D. max_msg_memory

Answer: A

QUESTION NO: 13

Which two statements are true about a fault-tolerant configuration of TIBCO EMS where the primary server heartbeat has stopped? (Choose two.)

- A. The backup server waits for its activation interval.
- B. The backup server tries to retrieve the information from shared storage.
- C. The backup server assumes control if the ft_weight parameter is equal to 1.
- D. If $ft_activation = ft_heartbeat \times 5$, the backup server becomes the primary server.
- E. The server_timeout_server_connection parameter is used by the backup server before attempting a switchover.

Answer: A,B

TB0-116

QUESTION NO: 14

A TIBCO EMS Server (mystore) has the following configuration in the stores.conf and queues.conf files:
stores.conf [mystore] type=file file=mystore.db mode=sync [mystore] type=dbstore
dbstore_driver_url=jdbc:sqlserver://sqlsrv_1:3415;databaseName=sysmeta
dbstore_driver_username=admin dbstore_driver_password=admin123 queues.conf queue1 store=mystore
Which statement is true when PERSISTENT messages are published to queue1?

- A. The server decides at runtime which store to use.
- B. The server picks the mystore of file type because it was configured first.
- C. The server fails to start because there are two stores configured with the same name.
- D. The server picks the mystore of database type because that overrides the previously configured filestore.

Answer: C

QUESTION NO: 15

Which two mappings of JMS header fields to TIBCO Rendezvous data types are correct? (Choose two.)

- A. JMSType to TIBRVMSG_U8
- B. JMSTimestamp to TIBRVMSG_U64
- C. JMSDeliveryMode to TIBRVMSG_U8
- D. JMSRedelivered to TIBRVMSG_STRING

Answer: A,D

QUESTION NO: 16

TB0-116

Which three statements are true about using Third-Party JNDI Naming/Directory Services with TIBCO EMS? (Choose three.)

- A. Destinations cannot be retrieved from third-party naming or directory services.
- B. To use a third-party directory service, you must have a JNDI provider for that specific type of service.
- C. For third-party services, the only prerequisite is that the objects must have previously been stored there.
- D. EMS supports the storage and retrieval of ConnectionFactories in third-party naming or directory services.
- E. The objects physically stored by EMS coming from a third-party naming/directory service are serialized objects.
- F. The synchronization of administered objects between the EMS Server and the foreign naming/directory services is automatic.

Answer: B,C,D

QUESTION NO: 17

What are two valid queue properties? (Choose two.)

- A. export
- B. channel
- C. exclusive
- D. maxRedelivery

Answer: A,B

QUESTION NO: 18

Which three message delivery modes are valid for TIBCO EMS? (Choose three.)