

Veritas

Exam VCS-409

Administration of Clearwell™ eDiscovery Platform 7.1

Version: 7.1

[Total Questions: 173]

Question No : 1

A case source folder location needs to be moved to another directory after the folder has been processed into Symantec Clearwell eDiscovery Platform 7.1. Which support feature should be used to change the case source path?

- A. Clearwell Utility
- B. Confirmation Server Management
- C. Utility Node Management
- D. Source Locator Modifier

Answer: D

Question No : 2

A System Manager is reviewing recent collection tasks. The System Manager needs to check collection details for every custodian and data source, including the volume of data collected and the time and status of the collection in order to provide real-time visibility into the collections process for the Case Team. Which report or view will display this information?

- A. Collection Task Defensibility report
- B. Collection Summary report
- C. Collection History view
- D. Collection Task Summary view

Answer: C

Question No : 3

A System Manager needs to redirect all export output to an external drive because the export is large. Which support feature tool should the System Manager use to change the export location directory?

- A. Source Locator Modifier
- B. Clearwell Utility
- C. Property Browser
- D. Confirmation Server Manager

Answer: C

Question No : 4

Which two features of caching can be applied prior to a document review? (Select two.)

- A. Caching can be scheduled to stop at a desired time.
- B. Caching can set the Case offline while caching task is running.
- C. Caching can be set to automatically retry previously timed out documents.
- D. Caching can be set to automatically move cached documents to a designated review folder.
- E. Caching can set production folders to lock and produce when caching task is done.

Answer: A,C

Question No : 5

Which equation should be used to calculate Yield as part of the Predictive Coding workflow?

- A. Yield = Number of sampled documents / Total population
- B. Yield = Number of tagged documents / Total population
- C. Yield = Number of training documents / Total population
- D. Yield = Number of responsive documents / Total population

Answer: D

Question No : 6

Which two locations are used for configuring appliance roles in a distributed architecture configuration? (Select two.)

- A. with a case selected, in Case Home view > Appliance Roles
- B. in the server.ini file located in D:\%CWHOME%\config\ on the appliance
- C. All Cases view > System > Support Features > Appliance Roles
- D. in the build-schema.xml file located in D: \%CWHOME%\build\
- E. All Cases view > System > Settings > Appliances > [selected appliance] > Appliance

Roles

Answer: A,E

Question No : 7

An organization is collecting email from its Microsoft Exchange servers and local Outlook files (both PST and OST) from employee laptops. The mail file synchronization between the laptops and Exchange has occasionally failed. This has prevented mail messages that are otherwise identical from de-duplicating if the document duplication in milliseconds processing option is selected. How should the mail be processed to minimize the impact of these minor time differences on message de-duplication?

- A. Process all of the mail files with document duplication in milliseconds turned on, then re-process the messages that failed to de-duplicate after changing the setting.
- B. Process only the files collected from Exchange with document duplication in milliseconds turned on, then process the OST and PST files after changing the setting.
- C. Process all of the mail files with document duplication in milliseconds turned off.
- D. Process all of the mail files with document duplication in milliseconds turned on.

Answer: C

Question No : 8

Where should data be stored after it is collected so the Symantec Clearwell eDiscovery Platform 7.1 can process it?

- A. locally on the C: drive
- B. on a SAN/NAS that has been set up for Clearwell
- C. locally on the D: drive
- D. on a CAS device

Answer: B

Question No : 9

Which two steps are required in order to add a file share data source to populate the Sources page/Data Map? (Select two.)

- A. create an access user profile
- B. select a source type
- C. include file extensions
- D. add a group
- E. define a location

Answer: B,E

Question No : 10

A default case backup location has become filled to capacity and a new network storage location has been made available for future backups. Where should the backup destination location be changed?

- A. System > Support Features > Property Browser
- B. System > Support Features > Source Locator Modifier
- C. System > Backups > Configuration
- D. System > Jobs > Backup > Case Backup Configuration

Answer: A

Question No : 11

Which two types of Legal Hold Notices can be created using the Legal Hold module in the Symantec Clearwell eDiscovery Platform 7.1? (Select two.)

- A. Release
- B. Custodian
- C. Legal Hold Defensibility
- D. Survey Questions
- E. System Admin

Answer: B,E

Question No : 12

Which support feature tool should be used to change the backup directory when a case backup location needs to be redirected to another path?

- A. Source Locator Modifier
- B. Crawler Manager
- C. Property Browser
- D. Clearwell Utility

Answer: C

Question No : 13

An Exchange Server collection task has been run successfully, but the task needs to be re-run because some settings need to be changed. Which option can be changed after collection has already run?

- A. Date range
- B. Custodian assignment
- C. Keywords
- D. Mailboxes to process

Answer: B

Question No : 14

A customer requests that all data for a specific custodian in a Symantec Enterprise Vault mailbox archive be collected and put on hold within Symantec Enterprise Vault. Since the matter is ongoing, all existing and new data must be collected and placed on hold. Which two tasks should be performed to collect from and apply hold within Symantec Enterprise Vault? (Select two.)

- A. create a scheduled collection task
- B. create a scheduled hold task using the same search criteria as a collection task
- C. create a scheduled hold task
- D. create a collection task
- E. create a hold task

Answer: A,B

Question No : 15

What are two prerequisite software requirements for installing the Symantec Clearwell eDiscovery Platform 7.1? (Select two.)

- A. Internet Explorer
- B. Windows Authorization Manager
- C. Microsoft .Net Framework
- C. Windows Message Queuing
- D. Windows Internet Information Server

Answer: A,C

Question No : 16

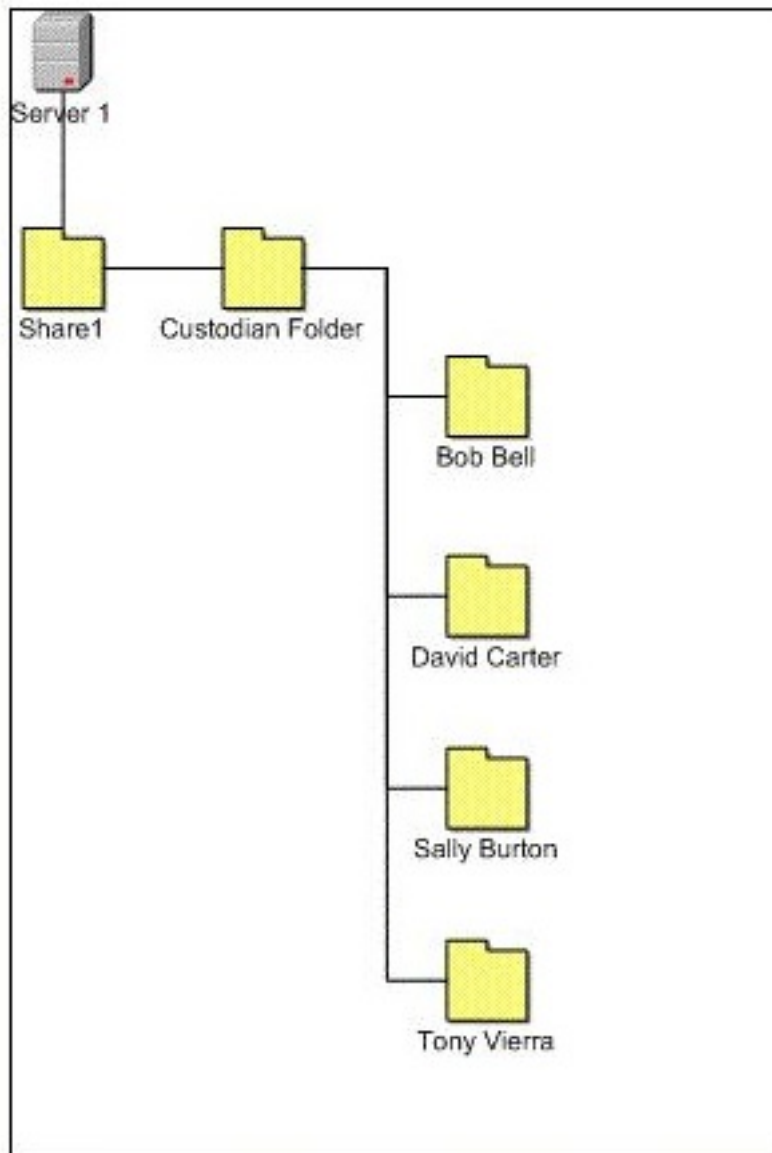
Which tool should be used to send logs to Symantec support if the Symantec Clearwell eDiscovery Platform 7.1 is down and the application interface is unavailable?

- A. Clearwell Utility
- B. Property Browser
- C. Utility Node Manager
- D. Services Manager

Answer: A

Question No : 17

Refer to the exhibit.



A Symantec Clearwell eDiscovery Platform 7.1 System Manager needs to collect data from a file share that includes previously collected and stored custodian data. During the collection, the System Manager must assign the correct custodian to the data. The exhibit displays the Directory structure for the stored data. Which value should be placed in the custodian path in the collection properties to ensure that the folder named after each custodian is used as the custodian assignment?

- A. 2
- B. 3
- C. 4
- D. 5

Answer: C

Question No : 18

A Case Team with a new case and related data set decides to run a Concept Search. They enter an important keyword in the Concept area, restrict the search based on a Folder, and then open the Concept Builder. They see a list of 200 Related Terms. The 200 Related Terms are derived from which data population?

- A. from a standardized thesaurus source that is leveraged by Symantec Clearwell eDiscovery Platform 7.1
- B. from the group of documents that have the keyword present without other documents
- C. from the group of items that was within the Folder included in the search criteria
- D. from the entire data population that has been processed into the case

Answer: D

Question No : 19

A Case Team has been working on a case and needs to perform an on-demand backup. When the System Manager starts the backup, the job fails. What is the likely cause of the backup failure?

- A. A user is logged in to the case.
- B. A partially completed export is in the case.
- C. A corrupt file exists in the case.
- D. A job is scheduled to run in the next 24 hours.

Answer: A

Question No : 20

What will a Case Admin with access to multiple cases, but without System Management privileges, see upon initial login?

- A. Case Dashboard
- B. System Settings
- C. Case List
- D. Jobs List

Answer: C

Question No : 21

What is a derived message in the Symantec Clearwell eDiscovery Platform 7.1?

- A. a message that was de-duplicated out of the population, but was included in the message thread
- B. a message that was identified from the content of another message rather than individually
- C. a message that was extracted from a zip container file
- D. an email message that was attached to another email message

Answer: B

Question No : 22

A System Manager needs to import custodians from the Employee List area using the Import All from Active Directory menu option. The System Manager receives the message "No Active Directory users to import." Which task needs to be performed for the import to work successfully?

- A. run Active Directory discovery from All Collections Sources area
- B. run Active Directory discovery from Email Servers page in System area
- C. add Active Directory Domain to crawl as source on the Settings page
- D. add Active Directory global catalog server as source first on the Settings page

Answer: B

Question No : 23

A Case Team needs to determine whether to enable Symantec Clearwell eDiscovery Platform 7.1 to extract images from emails and files. Which two considerations should influence the Case Team's decisions? (Select two.)

- A. Extracting images can expand the attachment list during review and export.
- B. If images extraction is disabled, images are unavailable for viewing.
- C. Clearwell gives no indication of whether there are images in a document, so extracting